

# The Team That Brought You FAST-PASS Introduces ThermalPass Temperature Screening Portal

## Overview

SISCO is proud to introduce the ThermalPass High Speed Throughput Temperature Detection Portal. ThermalPass allows facilities to operate a safer environment for their employees, visitors and vendors by identifying individuals with an elevated temperature reading requiring further evaluation.

## How It Works

The ThermalPass Temperature Detection System identifies potential at-risk individuals by detecting elevated body temperatures. ThermalPass employs multiple infrared sensors for greater accuracy and reliability. With a touchless scan rate of up to 3,600 people per hour, the device keeps people moving, avoiding long lines and wait times. The ability to register individuals in a safe and unobtrusive way is critical, making ThermalPass the perfect addition to any facility.

## Features

### Multiple Temperature Sensors

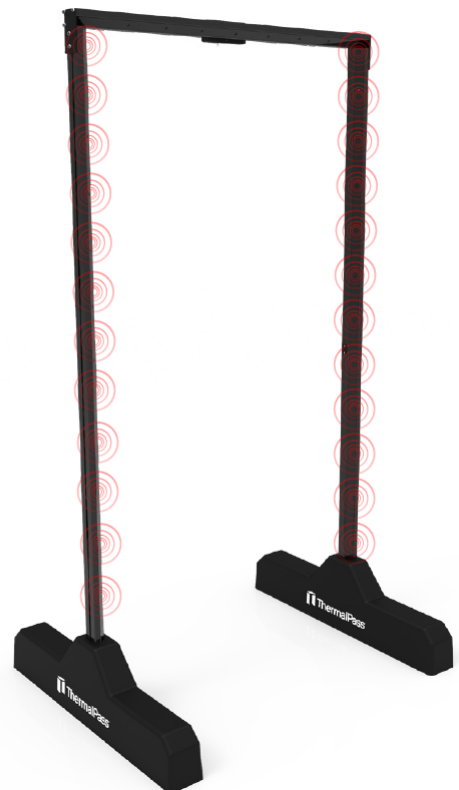
- 24 infrared thermal sensors
- Non-contact temperature measurement
- Scan rate of 1,200 scans per second
- Dual zone temperature system
- Accuracy of  $\pm 0.4^{\circ}$  C

### Fast and Efficient Engineering

- Capacity of up to 3,600 people per hour
- Accurately detects temperature for people of all heights
- Configurable audible and visual alerts
- Standard units are 39" wide, 43" units are available to accommodate wheelchairs

### Modern Design & Solid Construction

- Unimposing to discretely blend in to its environment
- Protected sensors to avoid damage
- Weather resistant
- Easy to assemble and disassemble
- Includes a Lithium Ion rechargeable battery pack for 40-45 hours of portable operation
- 3-year warranty
- Allows for integration with A-PASS Property Management Solutions



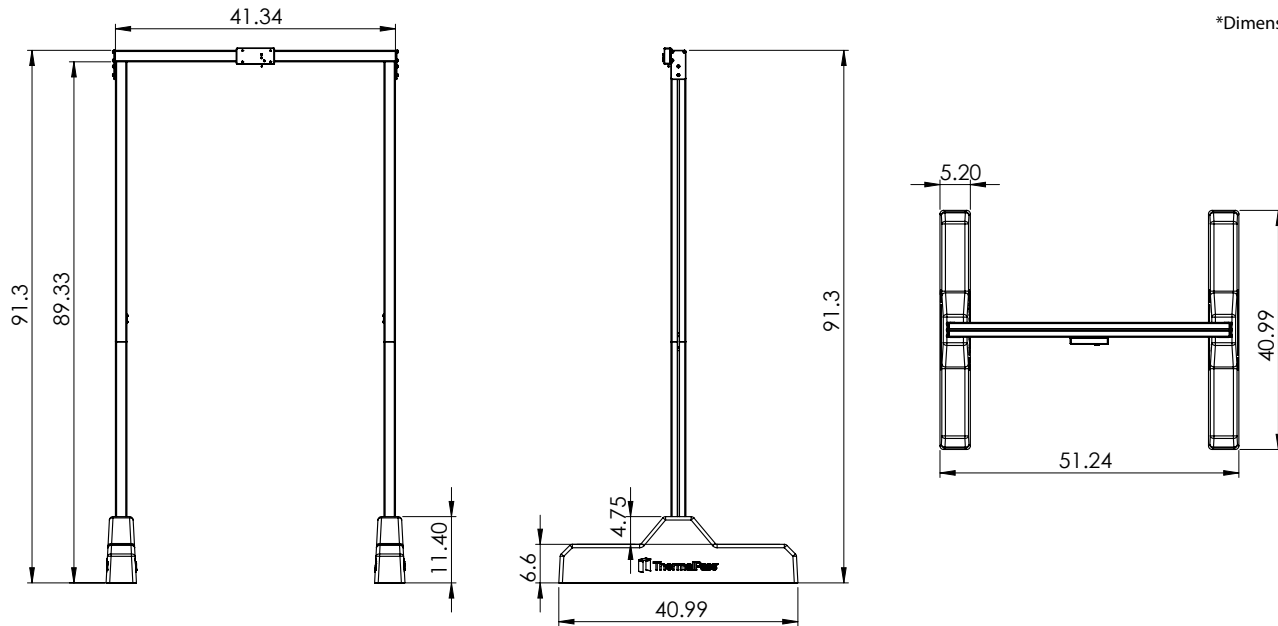
## Pro Model

The ThermalPass 200 Series is built for greater strength and stability in high traffic areas

## Specifications

Temperature Sensors	Type	Medical grade Dual zone infrared thermopile
	Resolution	0.01°C (0.018°F)
	Read rate	20 times per second / per sensor
Target Count Detection	Type	Infrared beam
	Wavelength	940nm
	Detection Interval	0.5 seconds (adjustable)
Power	Fixed	AC/DC, 1 output, 12W, 12V, 1A, 6-foot chord
	Batteries	2 Li-ion Polymer 18650, 3500mAh, cells
	Battery Protection	High current cutoff. Protected from mishandling, overcharge, and overdischarge
	Charger Supply	12v dc, 1 amp, from mains adaptor
	Charging Time	12 hours
	Run time	>45 hours from fully charged batteries
Communication	Monitor & Configuration	USB slave device – Requires FTDI virtual port drivers on host machine. Windows based software supplied.
	Cellular	LTE Cat M1/ Cat NB1/ EGPRS modem suitable for most countries worldwide.
	LTE Information	Global LTE Sim Card with coverage of over 550 carriers in 200+ countries. 3 years of LTE service included.
	SIM	Embedded SIM chip with worldwide roaming.
Mechanical	Height	2.135m (84")
	Width	1.050m (41.34")
	Depth	0.915m (36")
	Clearance Width	97 cm (38.189 inches)
	Weight	11.34Kg (25lbs)
	Material	Black anodised Aluminum, 50x60mm (1.97" x 2.36")
	Model #	P0120N
Software	Standard Parts	1 ThermalPass unit housing 24 thermal medical grade IR sensors, with a controller board.
	Dashboard setup	PC Windows 10 software which runs real-time through a USB connection or web-browser software that reads real-time alerts. Non-alerts are displayed in 10 minutes intervals. A login/password will be provided.
Environmental	Storage	-40°C to +85°C (-40°F - 185°F), 0 to 95% Rh
	Operation	-20°C to +65°C (-4°F - 149°F), 0 to 95% Rh
	Protection	Weather resistant
Warranty	One ThermalPass Unit	3 years
	Batteries	1 year
	Technical Support	1.561.691.0050 // support@siscocorp.com

## Dimensions - Pro Model



For more information & to place an order:

Phone: 561.691.0050  
 Email: [sales@siscocorp.com](mailto:sales@siscocorp.com)  
 Web: [www.siscocorp.com](http://www.siscocorp.com)